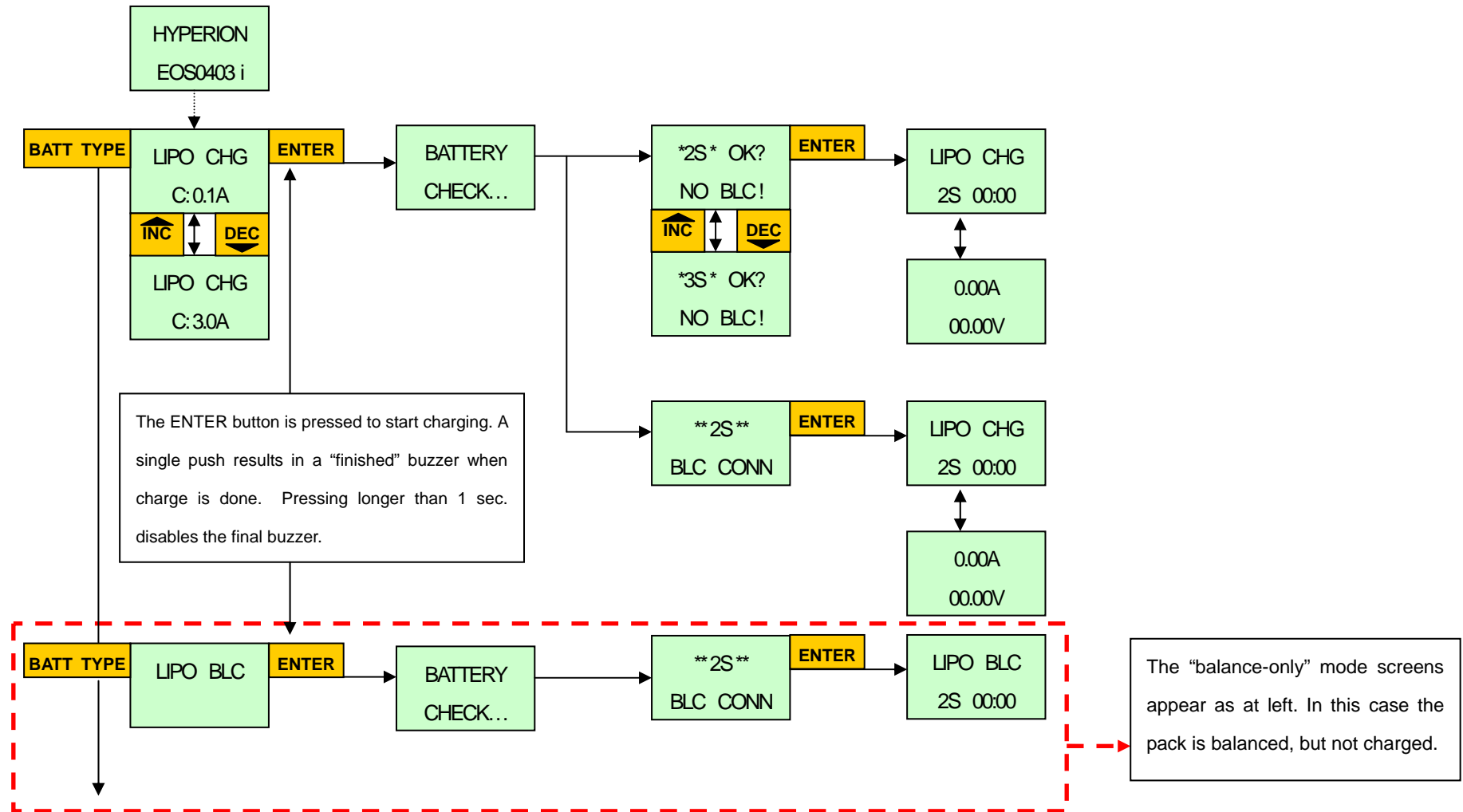


HYPERION EOS0403i - CHARGING FUNCTION SCREEN FLOWCHART

The example below shows charge screens for Lithium Polymer 3.7v type packs (LiPo). Short Pressing BATT TYPE cycles through LIPO and LIFE (LiFePO4) battery types. If the pack is connected to the balance port of the charger, the order is as follows:

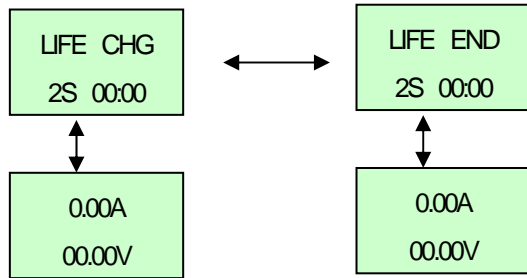
LIPO CHG (charge) > **LIPO BLC** (balance only) > **LIFE CHG** > **LIFE BLC**. (if balancer not connected, only CHG options are available)

Press ENTER to Start. Press ENTER again after carefully confirming cell count in series "S".

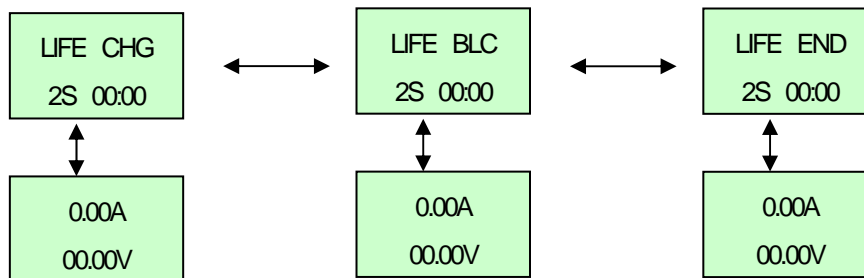


HYPERION EOS0403i - END DISPLAY

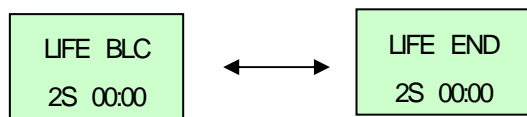
a. When a Charge (CHG) mode **WITHOUT** balancer connected is finished, screens as below appear at charge finish (LiFePO4 example).



a. When a Charge (CHG) mode **WITH** balancer connected is finished, screens as below appear at charge finish (LiFePO4 example).



a. When a Balance-Only (BLC) mode is finished, screens as below appear at balance finish (LiFePO4 example).



When the BATT TYPE button is long pressed (1 sec.+), you can see the following DATA VIEW screens, using INC/DEC buttons to scroll...

