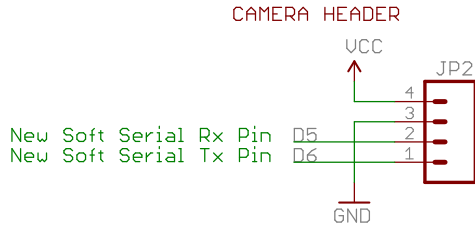
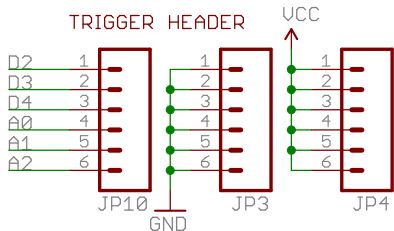
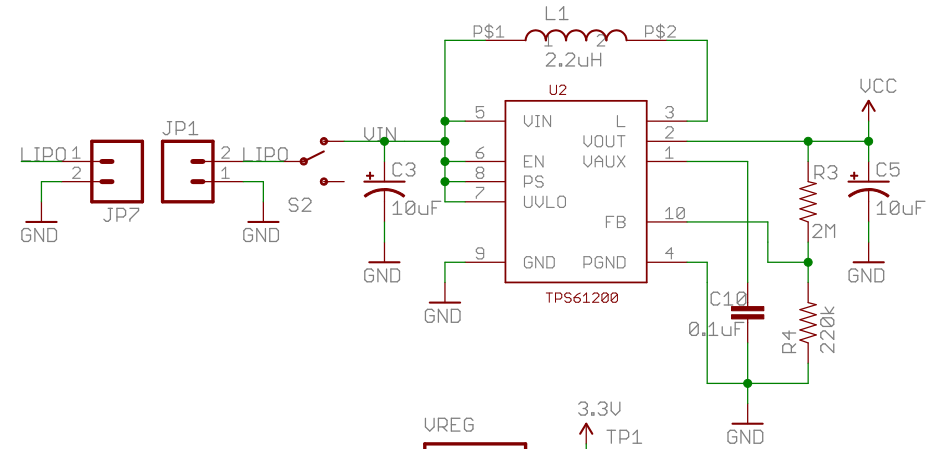
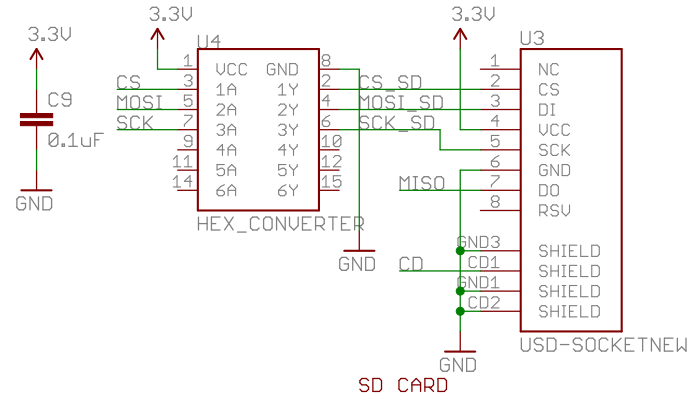
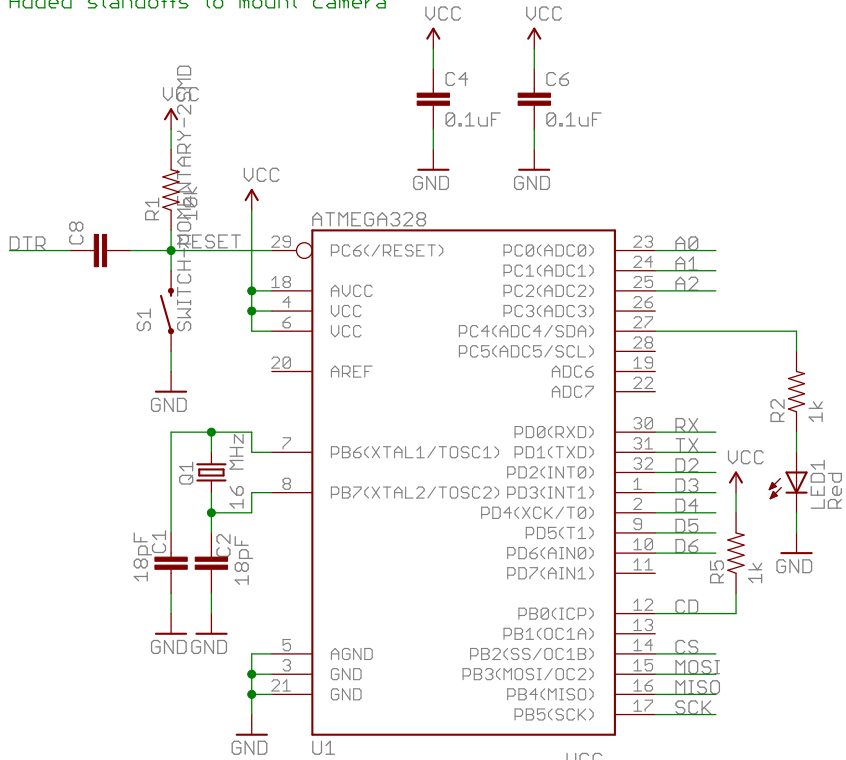


Ryan Owens SparkFun Electronics

v15 Changes:

- Updating for use with the LinkSprite JPEG Camera
- Changed from 3.3V Reg to 5V Step-Up Regulator
- Replaced Tricolor LED with red LED
- Changed to 16MHz crystal
- Added level shifter for SD communication
- Rearranged headers for easier connections
- Added standoffss to mount camera



TITLE: JPEG_Trigger-v20 SFE

Document Number: REV:

Date: 4/4/2011 4:35:13 PM Sheet: 1/1