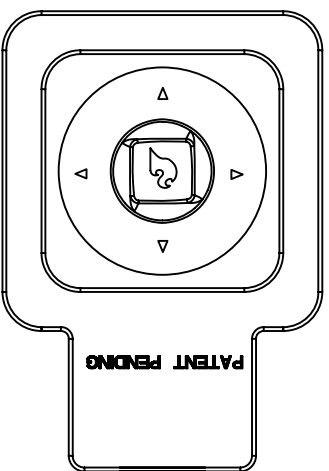
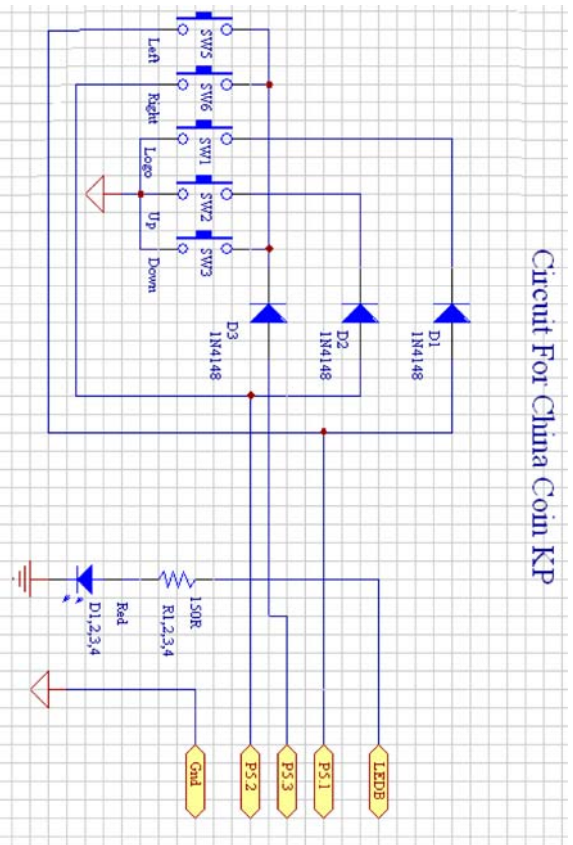


China Coin Keypad Pin LAYOUT



Wire1
Wire1---NC
Wire2---LEDR
Wire3---Gnd
Wire4---P5.1
Wire5---P5.3
Wire6---P5.2

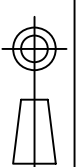
Circuit For China Coin KP



Files No.:Q1-YF-S-pin-001(A/0)

GENERAL TOLERANCE:		DO SCALE DRAWING		TITLE:	
LINEAR - .X	± 0.10	DRN:	DATE:	China Coin Keypad Pin LAYOUT	
ANGULAR - .XX	± 0.05	CHK:	DATE:		
ALL DIMENSIONS ARE IN METRIC UNLESS OTHERWISE SPECIFIED		Hatbo	10/12/17		
SCALE:	UNITS:	APPD:	DATE:	MATERIAL:	PART NO.:
	mm				

宜电 WEEL 科技



SH OF A4