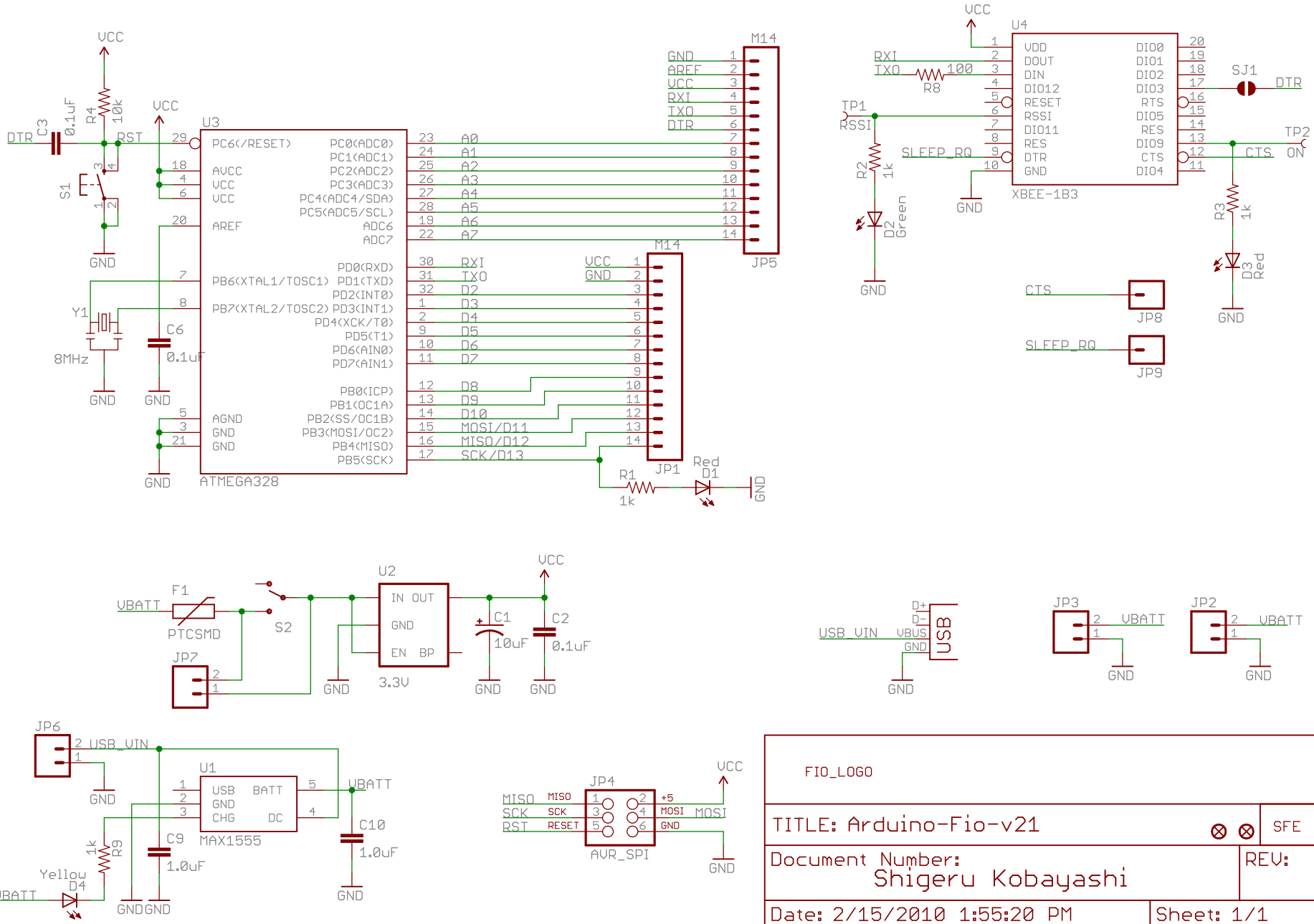


Original design (LilyPad Arduino v1.6) by L. Buechley and N. Seidle
 Released under the Creative Commons Attribution Share-Alike 3.0 License
<http://creativecommons.org/licenses/by-sa/3.0>
 Design by: S. Kobayashi and N. Seidle



FIO_LOGO			
TITLE: Arduino-Fio-v21		SFE	
Document Number: Shigeru Kobayashi		REV:	
Date: 2/15/2010 1:55:20 PM		Sheet: 1/1	