

TITLE: Logomatic-v21

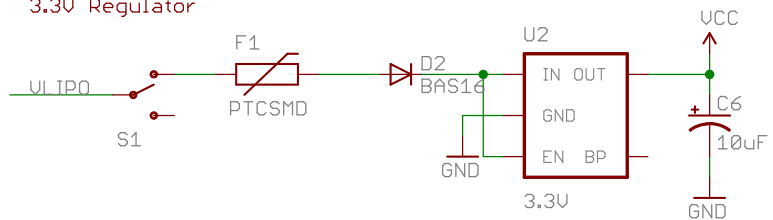
Document Number:

REV:

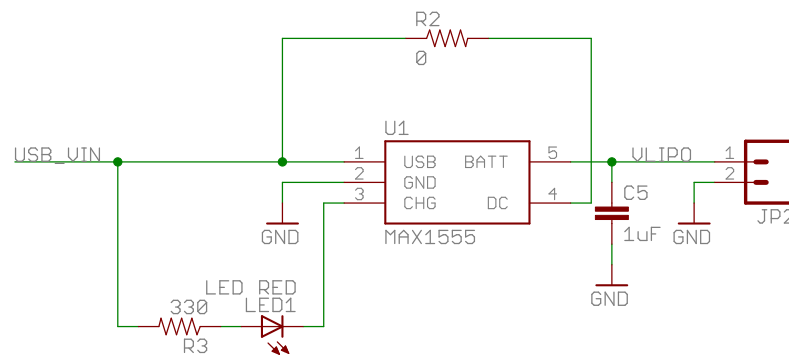
Date: 6/10/2008 11:10:40 PM

Sheet: 1/2

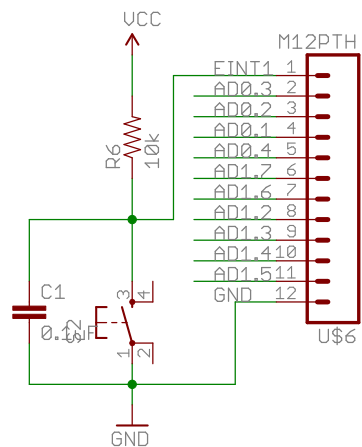
3.3V Regulator



Charge Circuit



Breakouts



TITLE: Logomatic-v21

Document Number:

REV:

Date: 6/10/2008 11:10:40 PM

Sheet: 2/2