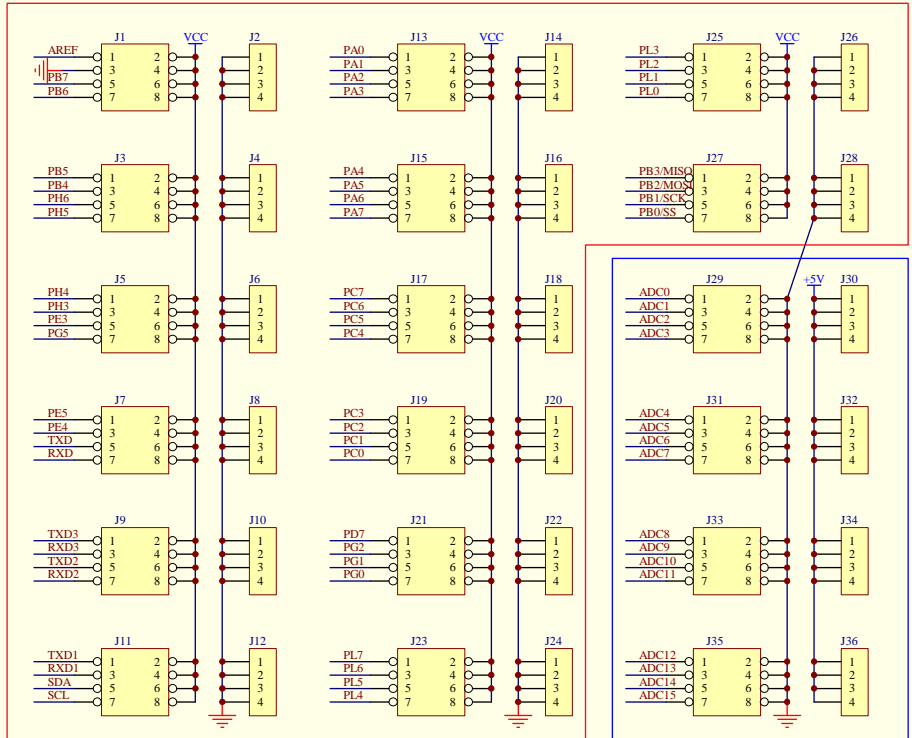
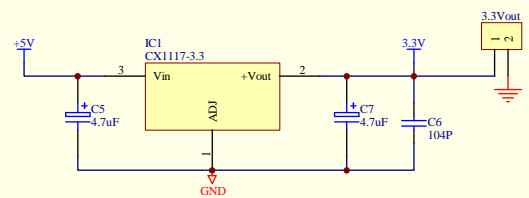
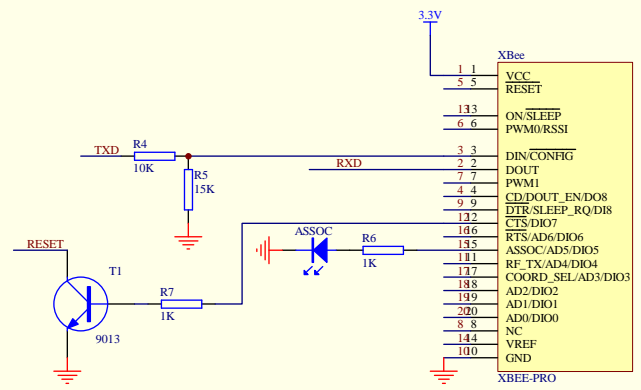
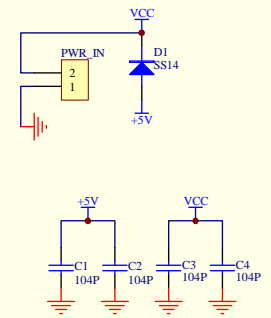
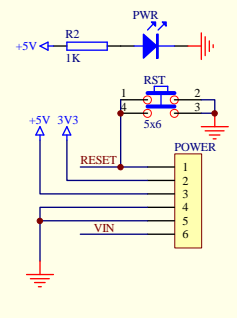
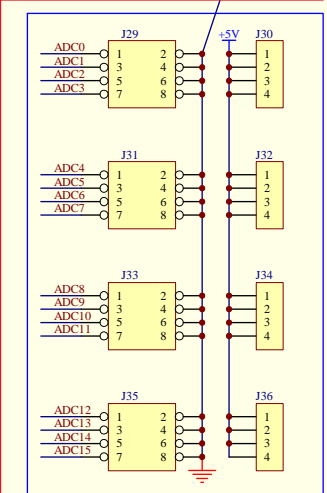


DIGITAL



ANALOG



| | | |
|--|----------|-----------------|
| Title Mega sensor shield | | |
| Size A3 | Number | Revision 1.1 |
| Date: 3-Dec-2010 | Sheet of | |
| File: D:\plan\产品记录\arduino\arduino_0_NGDM\014010B | 014010B | |