



**4D SYSTEMS**

---

# **SOMO-14D**

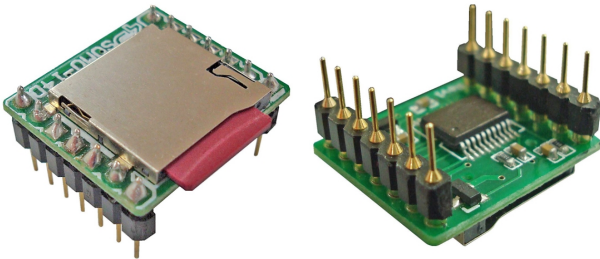
## **Embedded Audio-Sound Module**

### **Data Sheet**

Document Date: 10th August 2009  
Document Revision: 2.0



#### Description



The **SOMO-14D** is a tiny Audio-Sound module that can play back pre-stored audio files such as voice and music from a micro-SD memory card. The module supports 4-bit ADPCM audio files with sample rates from 6Khz up to 36Khz. By using the freely available software tool, any WAVE(.wav) or MP3(.mp3) file can be easily converted to the ADPCM(.ad4) format which can then be saved to a micro-SD memory card. The compact 14pin drop-in-module takes up very minimal board space and is ideal for any application that requires embedded audio.

The module offers two modes of operation, SERIAL-MODE and the KEY-MODE.

The SERIAL-MODE provides a simple 2-wire interface to any micro-controller via its DATA and CLK lines. Audio operations such as PLAY, PAUSE, STOP and VOLUME control functions are all available to the host micro via simple serial commands.

The KEY-MODE provides a stand alone operation where a host micro is not required. With only 3 push buttons, a 3V battery and a speaker, an extremely compact and low component count MP3-Player like system can be implemented.

In short, the SOMO offers a very flexible, compact and low cost embedded audio solution for many applications.

#### Features

- Low-cost module for all embedded Audio-Sound applications.
- Supports 4-bit ADPCM (.ad4) file formats with sampling rates from 6Khz to 36Khz.
- SERIAL MODE: Supports a 2-Wire (Data, Clock) interface to any micro-controller.
- KEY-MODE: Supports a simple stand alone operation without a host micro.
- Differential 2 line PWM output for direct speaker connection (8/16/32 Ohm/0.25W).
- Dedicated 16-bit DAC/PWM audio output to use with an external amplifier.
- On-board micro-SD memory card adaptor for storing of audio, voice and music files (up to 512 files).
- Supports 64Mb to 2Gig micro-SD memory cards (FAT format).
- Compact size measuring only 18.3 x 20.8 mm.
- 2.7V to 3.6V DC voltage range (single supply).
- RoHS Compliant.

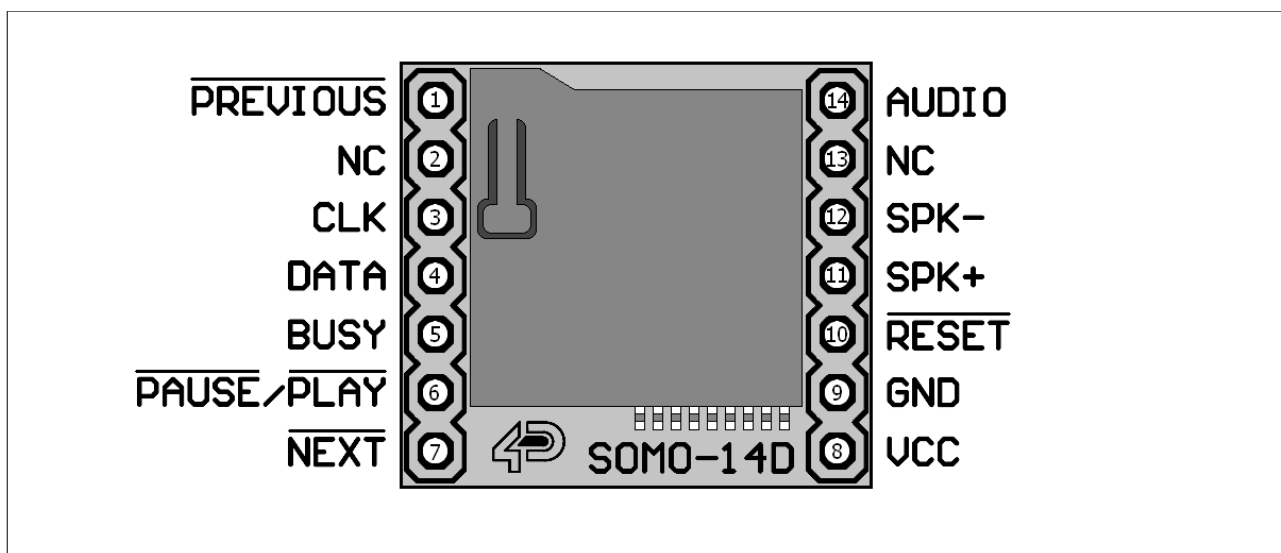
#### Applications

- General purpose embedded audio and sound applications.
- All voice annunciator systems.
- Automotive, Parking radar, GPS navigation systems.
- Elevator, Security, Access-Control and Warning devices.
- Intelligent home automation and domestic appliances.
- Robotics and Industrial control.
- Traffic facilities: Toll gates, parking lots.
- Toys, learning tools, talking books and all gaming sound effects.
- MP3 player like simple devices.

## Table of Contents

<b>1. Pin Configuration and Summary</b> .....	4
<b>2. Pin Description</b> .....	5
<b>2.1 Micro-controller Interface Pins</b> .....	5
CLK pin 3 (Serial Data Clock):.....	5
DATA pin 4 (Serial Data In):.....	5
<b>2.2 Key Interface Pins</b> .....	5
PREVIOUS pin 1:.....	5
PLAY/PAUSE pin 6:.....	5
NEXT pin 7:.....	5
<b>2.3 Audio Output Pins</b> .....	5
SPK+, SPK- pins 11, 12:.....	5
AUDIO pin 14:.....	5
<b>2.4 System Pins</b> .....	5
RESET pin 10 (Module Master Reset):.....	5
GND pin 9 (Module Ground):.....	5
VCC pin 8 (Module Supply Voltage Input):.....	5
<b>3. Operating Modes</b> .....	6
<b>3.1 SERIAL MODE</b> .....	6
Command Codes:.....	6
<b>3.2 KEY MODE</b> .....	7
<b>4. microSD Cards – FAT16 Format</b> .....	7
<b>5. Mechanical Dimensions</b> .....	8
<b>6. Development and Support Tools</b> .....	8
6.1 OLED Display Modules.....	8
6.2 Development Boards.....	9
6.3 SOMO Audio Converter – Software Tool.....	9
<b>7. Timing Diagrams</b> .....	10
7.1 Serial Data Timing and Waveform.....	10
<b>8. Specifications and Ratings</b> .....	11
<b>Proprietary Information</b> .....	12
<b>Disclaimer of Warranties &amp; Limitation of Liability</b> .....	12
<b>Contact Information</b> .....	12
<b>Revision History</b> .....	13

## 1. Pin Configuration and Summary



Pin	Symbol	I/O	Description
1	PREVIOUS	I	Selects the Previous Audio file from the memory card. Active LOW triggered input. Connect to a push-button in stand alone KEY-MODE.
2	NC	-	No Connect.
3	CLK	I	Serial Clock input from host micro-controller. SERIAL-MODE use only.
4	DATA	I	Serial DATA input from host micro-controller. SERIAL-MODE use only.
5	BUSY	O	BUSY signal. Active HIGH output. This signal is high when the module is playing an audio file from the uSD memory card. This pin can be connected to a LED via 470 Ohm resistor to GND.
6	PLAY/PAUSE	I	Play/Pause toggle input. Active LOW triggered input. Connect to a push-button in stand alone KEY-MODE.
7	NEXT	I	Selects the Next Audio file from the memory card. Active LOW triggered input. Connect to a push-button in stand alone KEY-MODE.
8	VCC	P	Main Voltage Supply +ve input pin. Working Voltage range is 2.7V to 3.6V, nominal 3.3V.
9	GND	I	Supply Ground.
10	RESET	P	Master Reset signal. Active LOW triggered input. Internally pulled up. SERIAL-MODE: Can be controlled by external micro port or left open. KEY-MODE: Can be connected to a push button or left open.
11	SPK+	O	Speaker+ drive output. Connect to 8/16/32-Ohm, 250mW speaker +ve.
12	SPK-	O	Speaker- drive output. Connect to 8/16/32-Ohm, 250mW speaker -ve.
13	NC	--	No Connect.
14	AUDIO	O	16-bit DAC/PWM output for external amplifier drive (optional).

## 2. Pin Description

This section describes in detail the hardware interface pins of the SOMO (**S**ound **M**odule).

### 2.1 Micro-controller Interface Pins

#### CLK pin 3 (Serial Data Clock):

Synchronous Clock Input. Each serial data bit is latched into the module on the rising edge of the clock. The idle state of the clock must be high. When communication is required, the CLK is brought LOW for a period of 2ms (START bit wait time). Each individual data bit (starting with the MSB bit15) is then clocked in sequentially. The data is latched on every rising edge of the clock. When the last data bit (bit0) is clocked in the CLK signal must be held high for a period of 2ms (STOP bit wait time) before the next command data is sent. The clock HIGH and LOW periods are 200us. Refer to “**Section 7. Timing Diagrams**” for more detailed timing and waveform information.

#### DATA pin 4 (Serial Data In):

Synchronous Data Input. The data is presented to the module by the host micro via this pin. Each command data is 16 bits wide. Data is serially clocked in to the module starting with the most significant bit (MSB bit15). Refer to “**Section 7. Timing Diagrams**” for more detailed timing and waveform information.

**NOTE:** For 5V systems, connect a series resistor (100 to 470 Ohms range) on the CLK and DATA pins between the SOMO and the target micro-controller.

### 2.2 Key Interface Pins

#### PREVIOUS pin 1:

Selects the Previous Audio file from the micro-SD memory card. Active LOW triggered input. Connect this pin to a push-button in stand alone KEY-MODE.

#### PLAY/PAUSE pin 6:

Play/Pause active LOW trigger Input. Connect this pin to a push-button in stand alone KEY-MODE. Each active low trigger will alternate between PLAY and PAUSE operation.

#### NEXT pin 7:

Selects the Next Audio file from the micro-SD memory card. Active LOW triggered input. Connect this pin to a push-button in stand alone KEY-MODE.

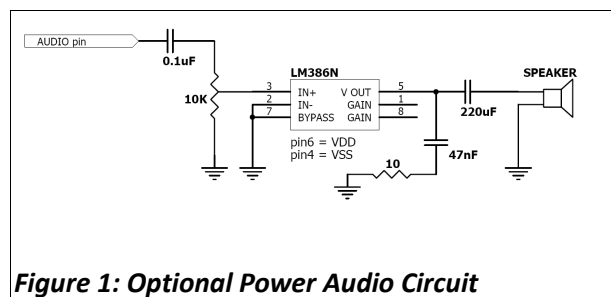
### 2.3 Audio Output Pins

#### SPK+, SPK- pins 11, 12:

These pins provide a differential PWM+ and PWM- output to a speaker. Connect these pins to an 8/16/32 Ohm (250mW) speaker.

#### AUDIO pin 14:

External Amplifier Output pin. This pin provides a 16-bit DAC/PWM audio output to use with an external audio amplifier. Example circuit below provides a low cost implementation.



**Figure 1: Optional Power Audio Circuit**

### 2.4 System Pins

#### RESET pin 10 (Module Master Reset):

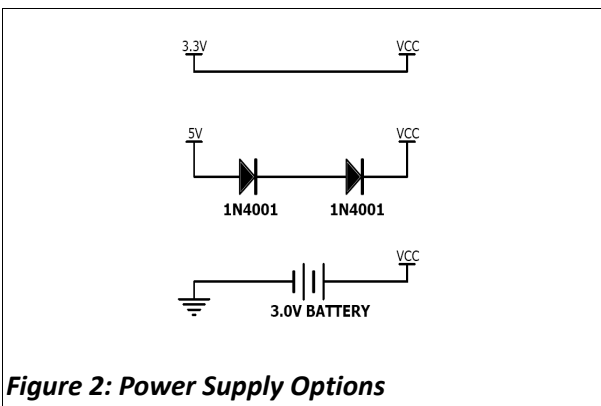
Module Master Reset pin. Active LOW input. Internally pulled up. After 1 second of a reset, the module will go into low power standby mode (8.0uA) if it detects no activity.

**GND pin 9 (Module Ground):**

Module ground pin. This pin must be connected to ground.

**VCC pin 8 (Module Supply Voltage Input):**

Module supply voltage input pin. This pin must be connected to a regulated supply voltage in the range of 2.7 to 3.6 Volts DC. Nominal operating voltage is 3.3 Volts. Figure 2.2 shows several power supply options.



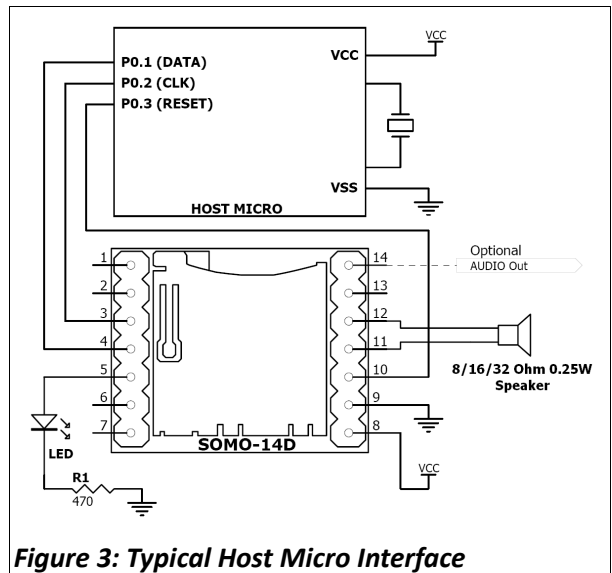
**Figure 2: Power Supply Options**

**3. Operating Modes**

The SOMO module offers two modes of operation, SERIAL-MODE and the KEY-MODE. This section describes both modes in detail.

**3.1 SERIAL MODE**

The SERIAL-MODE provides a simple 2-wire interface to any micro-controller. The host micro communicates with the module via the DATA and CLK lines. Figure 2.1 below outlines a typical set up.



**Figure 3: Typical Host Micro Interface**

All commands are composed of single word (16 bit) data that must be clocked into the module in a serial fashion (most significant bit first). The clock rate is approximately 2.5Khz which lends itself to even the slowest micro bit-banging two I/O ports to achieve this simple communication.

**Command Codes:**

The SOMO audio operations such as FILE ADDRESS, PLAY, PAUSE and VOLUME control are all available to the host micro-controller as 16-bit command codes. Table1 and Table2 below lists the available function codes and provides a brief description.

COMMAND CODE	FUNCTION	DESCRIPTION
0000h – 01FFh	AUDIO FILE ADDRESS	Selects one of the pre-stored audio/sound/voice files in the microSD memory card (up to 512 files max).
FFF0h – FFF7h	VOLUME	Volume adjustment codes. Total of 8 levels. FFF0h is the minimum and FFF7 is the maximum (also the default) volume level. The volume can be adjusted during play or standby state.
FFFEh	PLAY/PAUSE	Plays or Pauses the current audio file.
FFFFh	STOP	Stops playing the current audio file and puts the module in the low power idle mode.

**Table 1: Command Code Description**

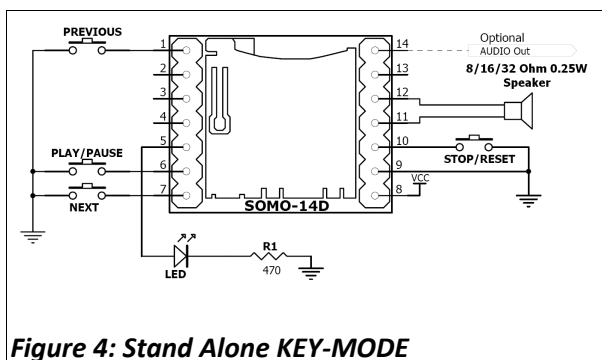
COMMAND CODE	FILE ADDRESS	FILE NAME
0000h (0000dec)	File Address 1	“0000.ad4”
0001h (0001dec)	File Address 2	“0001.ad4”
0002h (0002dec)	File Address 3	“0002.ad4”
..	..	..
01FFh (0511dec)	File Address 512	“0511.ad4”

**Note:** The file names stored in the microSD card must be the ASCII representation of the decimal command code with .ad4 extension: “0000.ad4”, “0001.ad4”, ..., “0511.ad4”

**Table 2: Audio File Addresses**

### 3.2 KEY MODE

The KEY-MODE provides a stand alone operation where a host micro is not required. With only 3 push buttons, a 3V battery and a speaker, an extremely compact and low component count audio system can be implemented as seen in Figure 4 below.



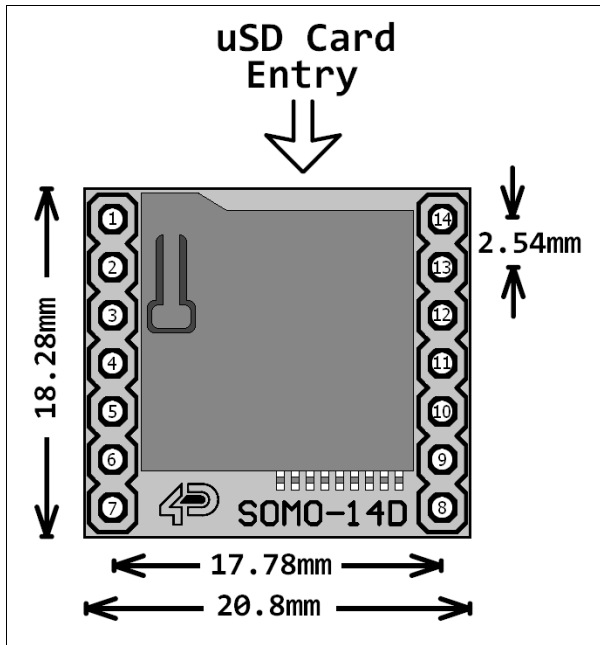
**Figure 4: Stand Alone KEY-MODE**

### 4. microSD Cards – FAT16 Format

As mentioned previously, the SOMO uses off the shelf microSD memory cards with up to 2GB capacity. Before the memory card can be used it must first be formatted with FAT16 option. The formatting of the card can be done on any PC system with a card reader. Select the appropriate drive and choose the FAT16 (or just FAT in some systems) option when formatting. The card is now ready to be used in the SOMO.



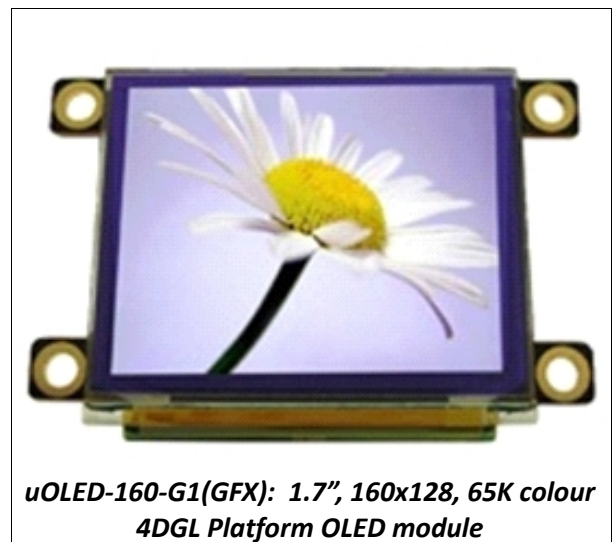
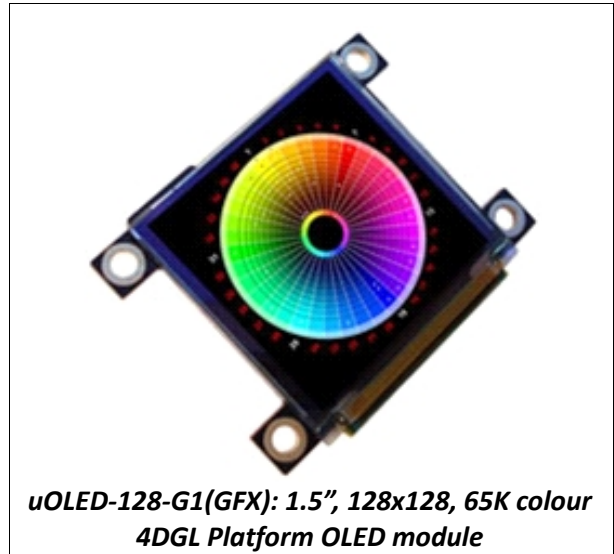
## 5. Mechanical Dimensions



## 6. Development and Support Tools

### 6.1 OLED Display Modules

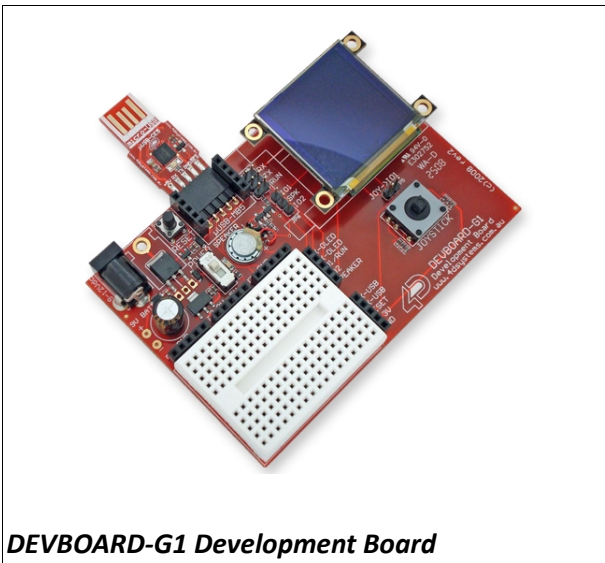
The following display modules, available from 4D Systems, can be used with the SOMO for a wide range of audio visual applications.





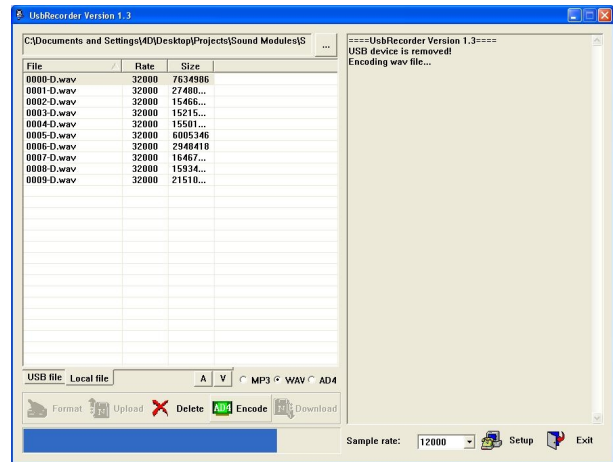
### 6.2 Development Boards

**DEVBOARD-G1** is a compact and low-cost all in one development platform for the uOLED-128-G1(GFX) and the uOLED-160-G1(GFX) display modules. The development board also has a solder-less breadboard to accommodate the SOMO where it can be easily connected to the display module for variety of applications and experiments. This board is the ideal platform for learning and experimenting with the SOMO and the display modules.



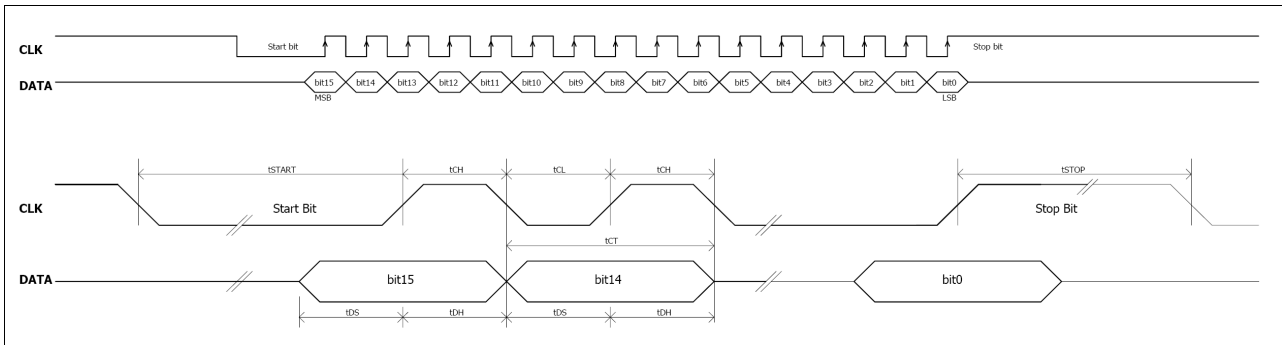
### 6.3 SOMO Audio Converter – Software Tool

This free software tool provides a convenient way to convert all .wav and .mp3 files to the .ad4 format. It is available for download from the 4D Systems website [www.4dsystems.com.au](http://www.4dsystems.com.au)



## 7. Timing Diagrams

### 7.1 Serial Data Timing and Waveforms



Item	Symbol	Min.	Typ.	Max.	Unit
Start Bit Low level pulse width	tSTART	2	-	-	ms
Stop Bit High level pulse width	tSTOP	2	-	-	ms
Clock High level pulse width	tCH	200	-	-	μs
Clock Low level pulse width	tCL	200	-	-	μs
Clock Cycle Total Period	tCT	400	-	-	μs
Write Data Setup	tDS	1	-	-	μs
Write Data Hold	tDH	100	-	-	μs

## 8. Specifications and Ratings

### Absolute Maximum Ratings

Operating ambient temperature .....	-20°C to +75°C
Storage temperature .....	-40°C +80°C
Voltage on any digital input pin with respect to GND .....	-0.3V to 6.0V
Voltage on SWITCH pin with respect to GND .....	-0.3V to 6.0V
Voltage on VCC with respect to GND .....	-0.3V to 6.0V
Total power dissipation .....	1.0W

**NOTE:** Stresses above those listed here may cause permanent damage to the device. This is a stress rating only and functional operation of the device at those or any other conditions above those indicated in the recommended operation listings of this specification is not implied. Exposure to maximum rating conditions for extended periods may affect device reliability.

### Recommended Operating Conditions

Parameter	Conditions	Min	Typ	Max	Units
Supply Voltage (VCC)		2.7	3.3	3.6	V
Operating Temperature		-10	--	+70	°C
Input Low Voltage	All pins	GND	--	0.8	V
Input High Voltage	All pins	2.0	--	VCC	V
Reset Pulse	External Open Collector	5.0	--	--	ms

### Global Characteristics based on Operating Conditions

Parameter	Conditions	Min	Typ	Max	Units
Supply Current (ICC)	VCC = 3.3V, Audio playing	36	41	45	mA
Supply Current (ICQ)	VCC = 3.3V, Idle	8.0	10	15	μA
Output Low Voltage (VOL)	All pins, IOL = 3.4mA	--	--	0.4	V
Output High Voltage (VOH)	All pins, IOL = -2.0mA	2.4	--	3.3	V
A/D Converter Resolution	IO1 pin	--	8	10	bits
Capacitive Loading	All pins	--	--	50	pF
Flash Memory Endurance	PmmC/4DGL Programming	--	1000	--	E/W

### Ordering Information

**Order Code:** SOMO-14D

**Package:** 150mm x 95mm (ZIF Bag dimensions).

**Packaging:** Module sealed in bubble bag inside a ZIF bag, both Antistatic.

## Proprietary Information

The information contained in this document is the property of 4D Systems Pty. Ltd. and may be the subject of patents pending or granted, and must not be copied or disclosed without prior written permission.

4D Systems endeavours to ensure that the information in this document is correct and fairly stated but does not accept liability for any error or omission. The development of 4D Systems products and services is continuous and published information may not be up to date. It is important to check the current position with 4D Systems.

All trademarks belong to their respective owners and are recognised and acknowledged.

## Disclaimer of Warranties & Limitation of Liability

4D Systems makes no warranty, either express or implied with respect to any product, and specifically disclaims all other warranties, including, without limitation, warranties for merchantability, non-infringement and fitness for any particular purpose.

Information contained in this publication regarding device applications and the like is provided only for your convenience and may be superseded by updates. It is your responsibility to ensure that your application meets with your specifications.

In no event shall 4D Systems be liable to the buyer or to any third party for any indirect, incidental, special, consequential, punitive or exemplary damages (including without limitation lost profits, lost savings, or loss of business opportunity) arising out of or relating to any product or service provided or to be provided by 4D Systems, or the use or inability to use the same, even if 4D Systems has been advised of the possibility of such damages.

Use of 4D Systems' devices in life support and/or safety applications is entirely at the buyer's risk, and the buyer agrees to defend, indemnify and hold harmless 4D Systems from any and all damages, claims, suits, or expenses resulting from such use. No licenses are conveyed, implicitly or otherwise, under any 4D Systems intellectual property rights.

## Contact Information

For Technical Support : [support@4dsystems.com.au](mailto:support@4dsystems.com.au)

For Sales Support : [sales@4dsystems.com.au](mailto:sales@4dsystems.com.au)

Website : [www.4dsystems.com.au](http://www.4dsystems.com.au)

**Copyright 4D Systems Pty. Ltd. 2000-2009.**

Revision History		
Revision Number	Revision Content	Revision Date
1.0	New	24 <sup>th</sup> July 2009
2.0	<b>1)</b> Updated SPK+/SPK- support from 8 Ohms to 8/16/32 Ohms 250mW. <b>2)</b> Added note for 5V system support using series resistors for CLK and DATA pins (page5).	10 <sup>th</sup> August 2009