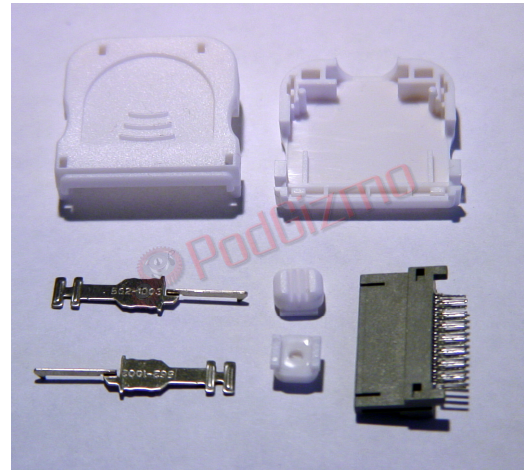
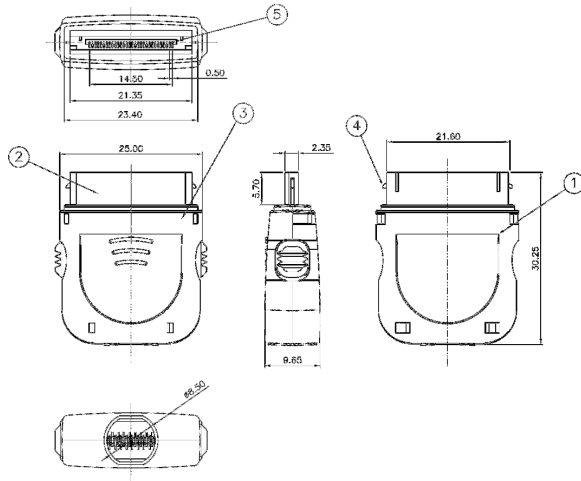


## Datasheet

## PODDOCK-C-M-1

### 30 Pin iPod Connector Style 1



Item	Part	Material	Finish
1	Cover	ABS Plastic	UL-94V-0
2	Housing	Stanyl 46HF	UL-94V-0
3	Top Cover	ABS Plastic	UL-94V-0
4	Latch	Stainless Steel 301	none
5	Contact	Phosphor Bronze	Gold Plate

#### Standard Data

<b>Current Rating</b>	1.0 amp
<b>Wire</b>	26 Gauge
<b>Operating Temperature</b>	-30C — +60C (-22F — 140F)
<b>Storage Temperature</b>	-40C — +85C (-40F — 185F)

#### Electrical

<b>Insulator resistance</b>	1000M ohms min at 250 VDC
<b>Maximum voltage</b>	100 VAC for 1 minute
<b>Contact resistance</b>	50 Ohms Maximum

#### Mechanical

<b>Mating Force</b>	30N (3.06kgf) Maximum
<b>Un-mating Force (no latch)</b>	4.2N (0.43kgf) Minimum
<b>Durability</b>	10,000 Cycles Minimum
<b>Contact Retention Force</b>	4.2N (0.43kgf) Minimum



#### TEXAS

Kineteka Systems  
 7101 Chase Oaks Blvd Ste 1617  
 Plano, Texas 75025  
 PH: 972-992-0541  
 FAX: 972-767-3009