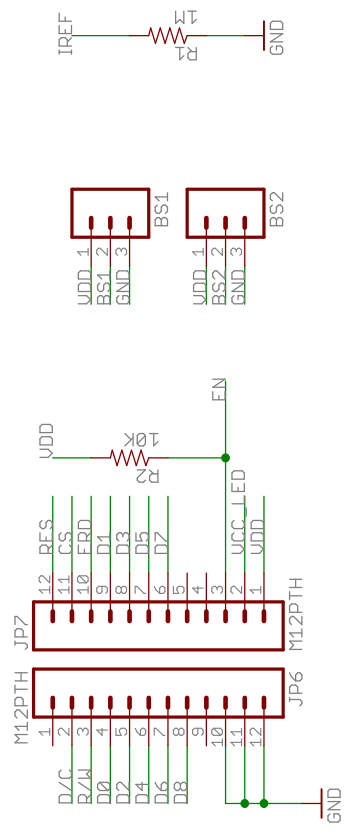
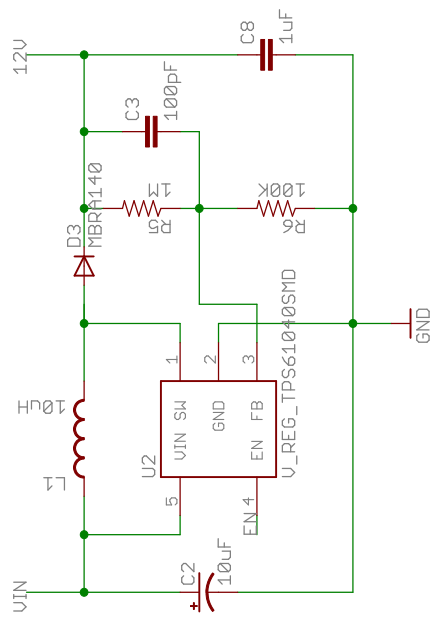


1	NC
2	VCC
3	UCOMH
4	VDD
5	VDDIO
6	USL
7	D8
8	D7
9	D6
10	D5
11	D4
12	D3
13	D2
14	D1
15	D0
16	R/W
17	BS1
18	BS2
19	CS
20	D/C
21	RES
22	IREF
23	UPC
24	VPB
25	VPA
26	VBREF
27	VDD
28	USS
29	VCC
30	NC



TITLE: OLED-CarrierBoard-v22

Document Number:

SFE

REV:

Date: 8/14/2008 6:34:18 PM

Sheet: 1/1