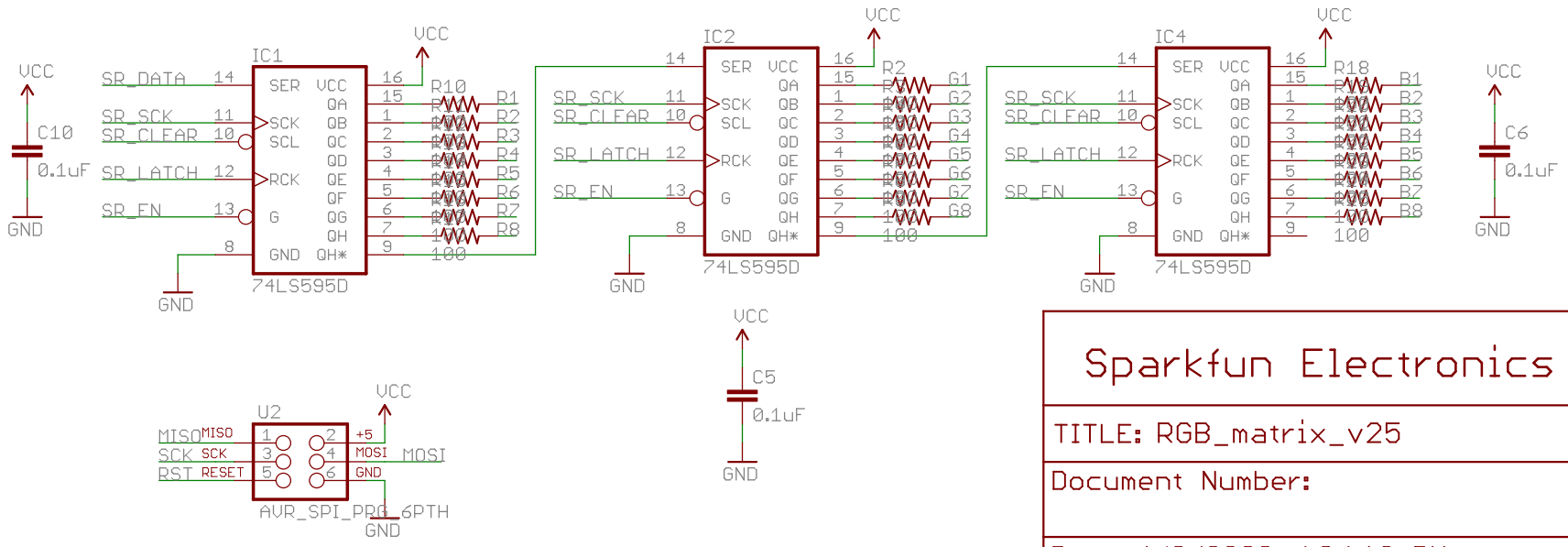
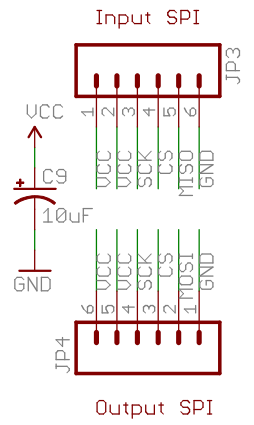
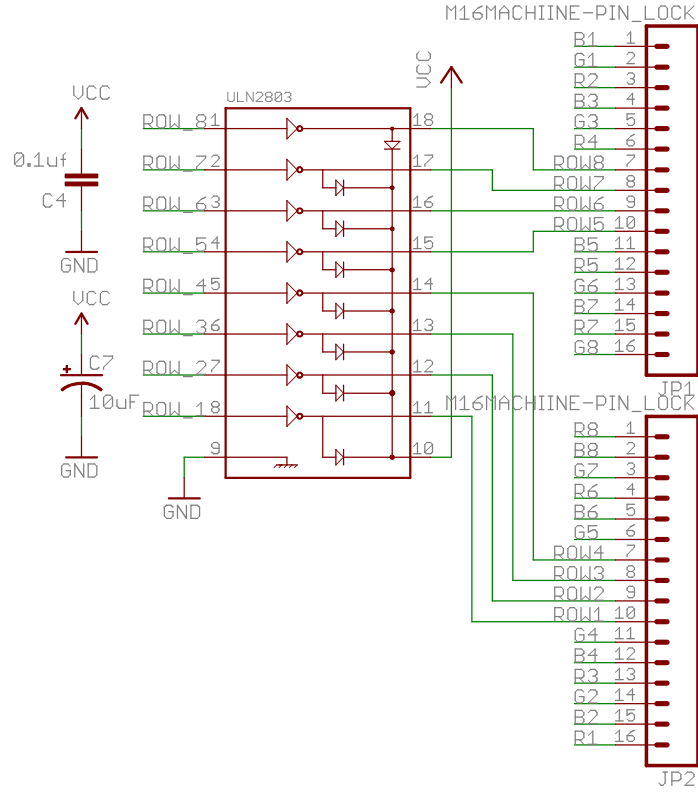
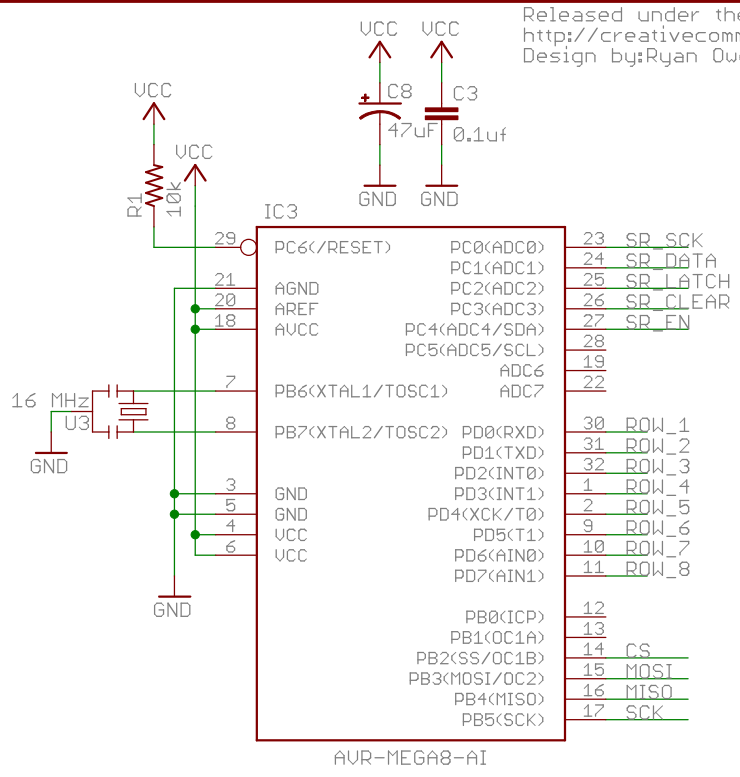


RGB Matrix Notes

Pin	Function
1	B1
2	G1
3	R2
4	B3
5	G3
6	R4
7	ROW8
8	ROW7
9	ROW6
10	ROW5
11	B5
12	R5
13	G6
14	B7
15	R7
16	G8
17	R8
18	B8
19	G7
20	R6
21	B6
22	G5
23	ROW4
24	ROW3
25	ROW2
26	ROW1
27	G4
28	B4
29	R3
30	G2
31	B2
32	R1



⊗
⊗

Sparkfun Electronics

TITLE: RGB_matrix_v25

Document Number: _____ REV: _____

Date: 4/9/2009 6:36:13 PM Sheet: 1/1