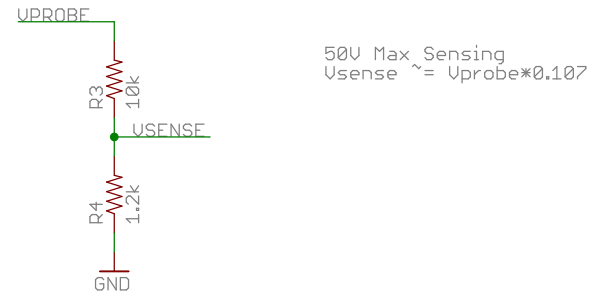
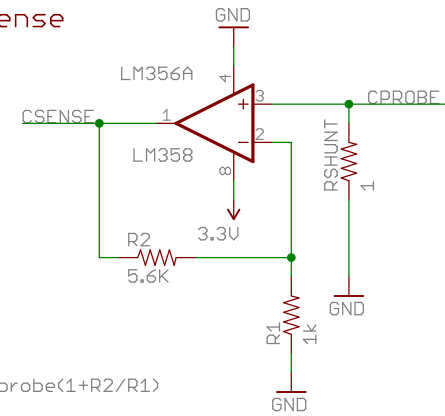


Voltage Sense



Current Sense



$$U_{Csense} = U_{Cprobe} \left(1 + \frac{R2}{R1} \right)$$

$$\frac{R2}{R1} = \approx 5.6$$

Resistance Sense



TITLE: Multimeter-Kit-v15 SFE SFE

Document Number: REV:

Date: 2/3/2010 3:27:56 PM Sheet: 1/1