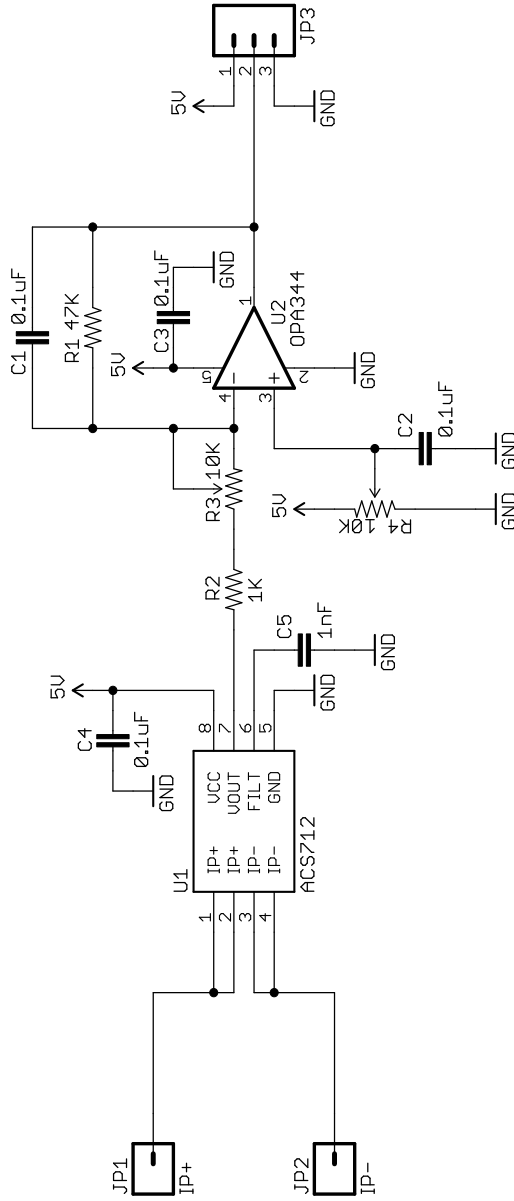


Note 1: R4 turns clockwise to increase output reference voltage
 Note 2: R3 turns counter-clockwise to increase gain
 Note 3: Remove C1 for full 80KHz bandwidth



⊗ ⊗	SFE
TITLE: ACS712 Low Current Sensor Board v1	
Document Number:	
REV:	
Date: 10/28/2008 7:28:06 PM	Sheet: 1/1