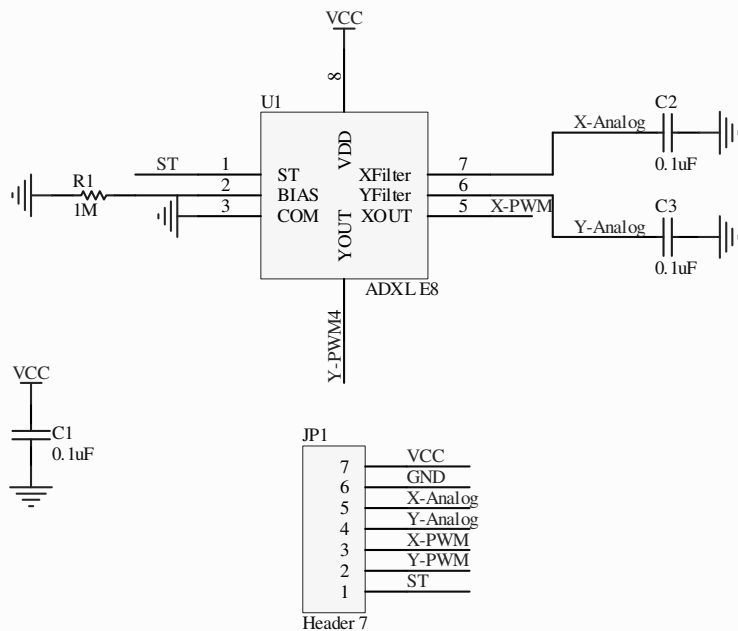


ADXL Analog and ADXL PWM Combined



Title ADXL E8 Layout		
Size A	Number Spark Fun Electronics	Revision 9-2-05
Date: 9/14/2005	Sheet of	
File: D:\Project\sl\ADXL Layout-202.Sch	Drawn By:	